



ABS Plastic Round Hatch Cover Deck Plate

You are welcomed to come to our factory to buy the latest selling, low price, and high-quality ABS Plastic Round Hatch Cover Deck Plate, POWER MARINE looks forward to cooperating with you. We have

been specialized in marine hardware for more than 25 years. Our product is made of ABS Plastic, which has good corrosion resistance. We can provide high quality products and competitive prices, and we look forward to becoming your long-term partner in China. Welcome to contact us.

产品内容

ABS Plastic Round Hatch Cover Deck Plate

1. Product Introduction

As the professional manufacturer, POWER MARINE would like to provide you high quality ABS Plastic Round Hatch Cover Deck Plate. And we will offer you the best after-sale service and timely delivery. We follow the quality of rest assured that the price of conscience, dedicated service. ABS Plastic Round Hatch Cover Deck Plate has a longer service life in seawater, ultraviolet light and humid environments. We can provide high quality products and competitive prices, and we look forward to becoming your long-term partner in China. Welcome to contact us.

2. Product Parameter (Specification)

Product name	ABS Plastic Round Hatch Cover Deck Plate
Specification available	Multiple sizes

Shandong Power Industry and Trade Co., Ltd.

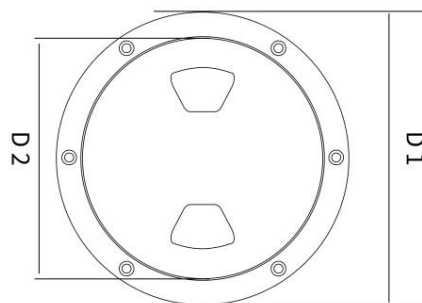
Address: Chengyang District, Qingdao, Shandong Province, China

Tel: [+86-15865772126](tel:+86-15865772126)

[+86-0532-83875707](tel:+86-0532-83875707)

E-mail: andy@hardwaremarine.com

Standards that follow to	ISO 9001, CE, TUV, CSS, SGS.
Samples available	Yes.
Packing method	Bubble bag+Wooden carton
Production lead time	10-15 days for a 20ft container, 20-25 days for a 40ft container.
Warranty time	Support returns and exchanges
Payment term	T/T
FOB loading port	Qingdao China



Code	Color	Size	D2mm	D1mm
PM-004-01	White	4"	101	143
PM-006-01	White	6"	151	198
PM-008-01	White	8"	180	250

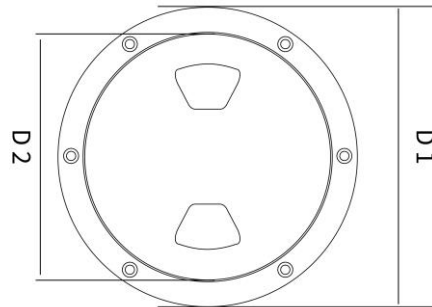
Shandong Power Industry and Trade Co., Ltd.

Address: Chengyang District, Qingdao, Shandong Province, China

Tel: [+86-15865772126](tel:+86-15865772126)

[+86-0532-83875707](tel:+86-0532-83875707)

E-mail: andy@hardwaremarine.com



Code	Color	D2mm	D1mm
PM-104-01	Black	101	143
PM-106-01	Black	151	198
PM-108-01	Black	180	250

INDEPENDENT PACKING BOX

Product Feature And Application

The history of ABS Plastic Round Hatch Cover Deck Plate is intertwined with the development of plastic materials and their applications in the marine industry. Plastics were first developed in the early 20th century and their uses began to expand rapidly across various industries, including the marine sector. ABS (Acrylonitrile Butadiene Styrene) plastic, in particular, is a popular choice due to its unique properties and versatility. The use of ABS plastic on decks gained traction in the mid-20th century as shipbuilders recognized the advantages it offered. ABS plastic is lightweight yet strong, resistant to corrosion and UV rays, and can withstand harsh marine environments, making it ideal for hatch covers and other deck applications. Round hatch deck boards have become popular due to their aesthetics and functionality. The rounded shape provides a secure, tight fit, minimizing the risk of water seeping inside the boat. Additionally, the screw-on design ensures a tight seal and easy access to compartments or areas below the deck. Over time, advances in plastic manufacturing technology have allowed round hatch ABS Plastic

Shandong Power Industry and Trade Co., Ltd.

Address: Chengyang District, Qingdao, Shandong Province, China

Tel: [+86-15865772126](tel:+86-15865772126)

[+86-0532-83875707](tel:+86-0532-83875707)

E-mail: andy@hardwaremarine.com

Round Hatch Cover Deck Plate to become more precise and reliable. These advancements include improved molding processes, enhanced material formulations, and integrated non-slip surface textures or patterns for increased safety. Today, ABS Plastic Round Hatch Cover Deck Plate are widely used in various types of ships and yachts. They have become a standard component for access to compartments, storage areas and bilge spaces. Using ABS Plastic Round Hatch Cover Deck Plates can simplify access to critical areas, increase safety, and help maintain the integrity of the vessel. As technology continues to evolve, ABS plastic round hatch deck plates are likely to continue to receive further improvements in durability, design and functionality, ensuring their continued use as a reliable solution for the marine

Product Details

ABS Plastic Round Hatch Cover Deck Plate are a commonly used component in ships and yachts. Here are some of the main features of this type of deck:

Material: Made of ABS (Acrylonitrile Butadiene Styrene) plastic, which is known for its lightweight, durable and waterproof properties. ABS plastic is resistant to corrosion and UV damage, making it suitable for marine applications.

Round: ABS Plastic Round Hatch Cover Deck Plate are designed in a round shape to provide a strong, tight fit when installed on a boat's hatch cover or deck. The round shape also helps prevent water from entering the hull or storage area.

Easy Access: Deck boards are installed on hatches or decks to provide easy access to cabins or areas below. It allows users to easily reach locations such as storage rooms, fuel tanks or bilge areas.

Screw-in Design: Typically, deck plates are secured to the hatch cover or deck by screwing in using compatible screws or bolts. This ensures a tight and secure fit, preventing any water or debris from entering the compartment.

Weather Resistance: ABS plastic has excellent resistance to water, UV rays and harsh weather conditions, making it suitable for use in marine environments. It can withstand exposure to salt water, sunlight, and other elements without degrading or deteriorating.

Shandong Power Industry and Trade Co., Ltd.

Address: Chengyang District, Qingdao, Shandong Province, China

Tel: [+86-15865772126](tel:+86-15865772126)

[+86-0532-83875707](tel:+86-0532-83875707)

E-mail: andy@hardwaremarine.com

Non-Slip Surface: ABS Plastic Round Hatch Cover Deck Plate have a non-slip surface texture or pattern that provides extra grip and safety when walking or walking on the deck.

Size Options: ABS Plastic Round Hatch Cover Deck Plate are available in a variety of sizes and diameters to fit different hatch or compartment openings. It is important to choose the right size that suits your specific requirements.

Overall, ABS Plastic Round Hatch Cover Deck Plate are a reliable and durable choice for boat and yacht owners. They offer ease of use, weather resistance and a secure fit, helping to keep your boat waterproof and accessible when needed.

Loading & Shipment

Thanks to superior quality, we have been establishing a close & long business partner relationship with the customers from more than 30 countries, and we've gotten so many positive feedback regarding the quality.

Shandong Power Industry and Trade Co., Ltd.

Address: Chengyang District, Qingdao, Shandong Province, China

Tel: [+86-15865772126](tel:+86-15865772126)

[+86-0532-83875707](tel:+86-0532-83875707)

E-mail: andy@hardwaremarine.com



Contact us

Contact us freely for any inquiries on our products by following:

Email: andy@hardwaremarine.com

Mob: +86-15865772126

24 hours on line contact:

WhatsApp / wechat: +86-15865772126

If you have any questions can contact us

批注 [1]: 加粗, 加超链接, 连接到联系我们

Shandong Power Industry and Trade Co., Ltd.

Address: Chengyang District, Qingdao, Shandong Province, China

Tel: [+86-15865772126](tel:+86-15865772126)

[+86-0532-83875707](tel:+86-0532-83875707)

E-mail: andy@hardwaremarine.com